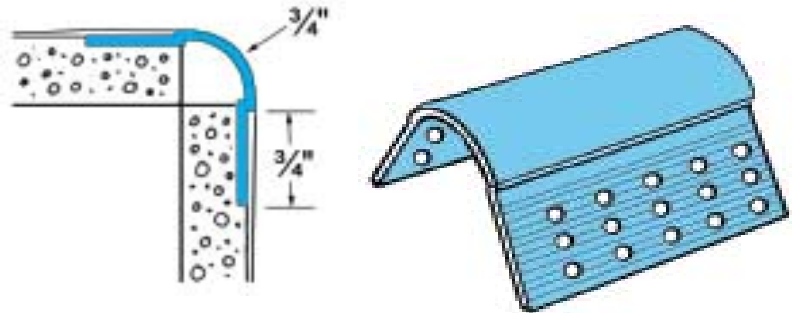


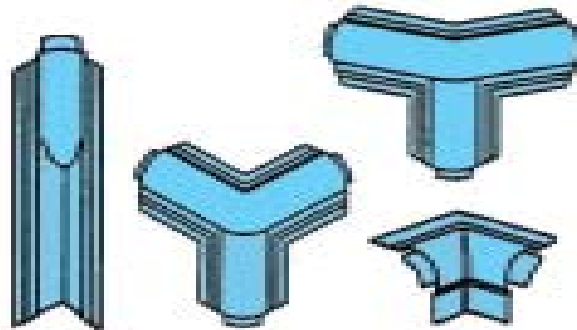
# Bull Nose Corner Bead

AMICO Bull Nose Drywall Corner Bead provides an architecturally attractive corner that is both durable and straight for a softer more rounded appearance.



Drywall Bull Nose Corner Be

AMICO Bull Nose Drywall Corner Caps add the perfect finishing touch to compliment the bull nose corner bead system. These caps are great time savers that allow the installer to avoid the costly procedure of mitering corners.



Drywall Bull Nose Corner Caps

PRODUCT NO.	DIMENSIONS	LENGTH	BOARD THICKNESS	PCS PER BOX
DRYWALL BULL NOSE CORNER BEAD AMBNCB-75	3/4" x 3/4" Perforated Flange	8' & 10'	ALL	50
DRYWALL CORNER CAPS AMCC100	1-WAY	N/A	N/A	50
DRYWALL CORNER CAPS AMCC200	2-WAY 90°	N/A	N/A	50
DRYWALL CORNER CAPS AMCC333	3-WAY Off Angle	N/A	N/A	50
DRYWALL CORNER CAPS AMCC750	3-WAY 90°	N/A	N/A	50
DRYWALL BASE TRANSITION AMBTC8590	Cap / Base Transition	N/A	N/A	50