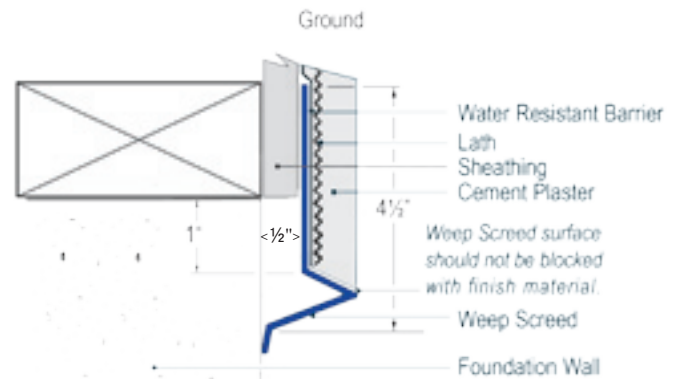
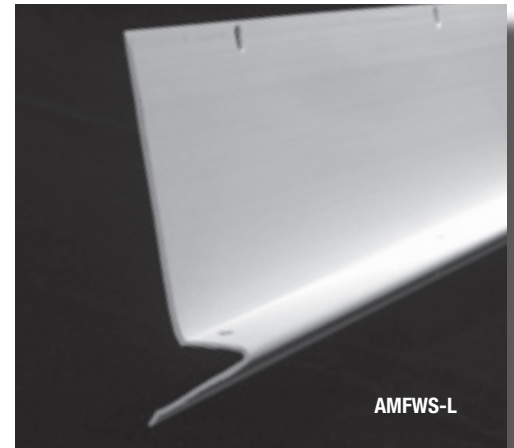


Weep Screed Extended Leg is used like a regular foundation weep screed but covers the bottom edge of the sheathing in cases where the sheathing extends beyond the edge of the foundation. This helps to protect the edge of the sheathing from moisture and insect damage.

NOTE: Weep screeds are only required at the base of framed wall. This profile is manufactured with a 3½" nailing flange as required by code.

Product No.	Dimensions	Ground	Box Count
AMFWS-L-425-780	4¼"	7⁄8"	30
AMFWS-L-425-500	4¼"	1⁄2"	30



Drip Screed with control joint has a two-piece design which allows for a drip edge in stucco. The control joint helps to relieve stress in soffits.

Product No.	Ground	Box Count
AMDS-750-750	3⁄4"	15
AMDS-500-500	1⁄2"	15
AMDS-580-580	5⁄8"	15

Horizontal Drip Screed is similar to the two-part drip screed, but only uses the horizontal component for special drip conditions.

Product No.	Ground	Box Count
AMHDS-380	3⁄8"	35
AMHDS-500	1⁄2"	35
AMHDS-580	5⁄8"	30
AMHDS-750	3⁄4"	25
AMHDS-780	7⁄8"	20

